



TYPE: \_\_\_\_\_  
 CATALOG #: \_\_\_\_\_  
 NOTES: \_\_\_\_\_

## Lux-Ray™ LED Series

Die-Cast Aluminum LED Emergency Lighting

### Features

- Die-Cast aluminum housing, available in four finishes: dark bronze, off-white, black, and platinum gray
- Nema-3R rated for indoor/outdoor wet, damp & cold locations:  
 -20 to 50°C (-4 to 122°F), SD Model  
 -20 to 40°C (-4 to 104°F), ACS Model
- Wall-mount installation on various junction boxes or via rigid conduit
- Patent-Pending design for easy installation: wall-mount back plate includes electrical wire box with snap-on connector
- Patent-Pending light engine: four power LEDs with redundant connections and wide beam
- Clear polycarbonate lens of reduced size (3" X 1.5"), shock absorbent and UV-resistant
- 400-640 Lumens
- Color temperature: 5000K
- Battery: environmentally friendly high-temperature rated, Nickel-Metal Hydride technology
- Run time 90 minutes
- Optional self-test and diagnostic functions
- UL924 Listed
- 5-year limited warranty  
 Detailed warranty terms located at: [www.emerj-lite.com/usa/files/EL\\_Warranty.pdf](http://www.emerj-lite.com/usa/files/EL_Warranty.pdf)

### Optional Features

- Cold weather: -40°F / -40°C
- Forward-throw light distribution, for applications of outdoor exit discharge (OSHA 1910.36)
- High-lumen output: 25 to 50% additional level of illumination compared to the regular unit
- Dual-mode operation: normal lighting and/or emergency lighting with separate AC inputs
- Photocell: dusk-to-dawn control of normal lighting
- Remote test: infrared remote control (keypad ordered separately)
- Time Delay: 5, 10, 15 minutes

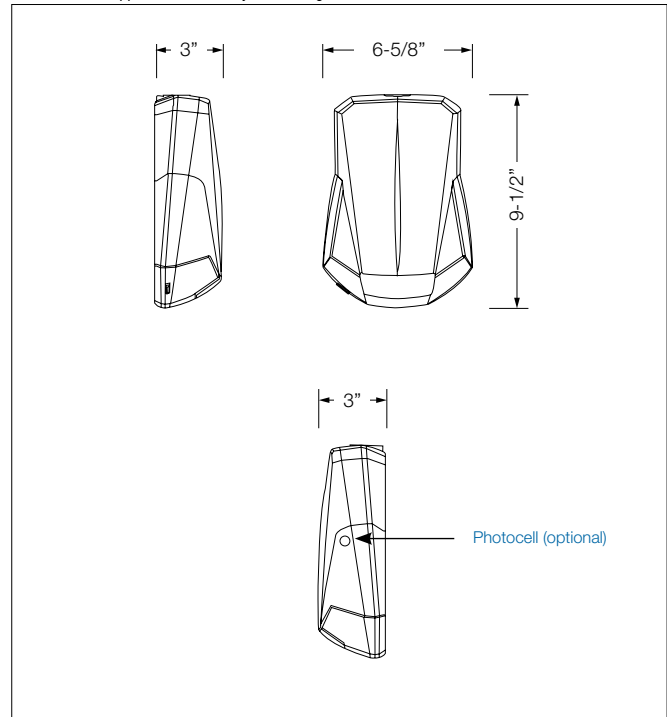
### Power Consumption

Model Type	AC SPECS: 120/277VAC				6-12VDC remote
	Normal lighting		Emergency lighting		Power (max)
	Current (max)	Power (max)	Current (max)	Power (max)	
AC, 2AC, ACDC, DC (Remote)	0.12/0.08A	12W	0.12/0.08A	12W	8W
AC, 2AC, ACDC, DC, -H (Remote)	0.18/0.11A	18W	0.18/0.11A	18W	14W
ACS Model, SD, SD-H	0.12/0.06A	12W	0.05/0.02A	5W	-
SD-CW	-	-	0.15/0.07A	16W	
ACS Model-CWP, -CWRC*	-	-	0.22/0.10A	24W	

\* Note: ACS Model cold weather models must be powered only from the unswitched emergency AC line

### Dimensions

Dimensions are approximate and subject to change.



Performance, low-profile, modern sleek look emergency unit with optional dual mode (Normally ON/OFF) and photocell activated models



**Photometry performance**

Whether installed indoors or outdoors, with spacing measurements for a single unit or between two units center-to-center, the Lux Ray® Series LED delivers a stable and consistent illumination making it easy to specify in a wide range of applications. The outstanding spacing of illumination ranges from 50 to 70 feet for standard units (wide beam) and from 40 to 50 feet with the forward-throw beam option.

**Minimum of 1 foot-candle**

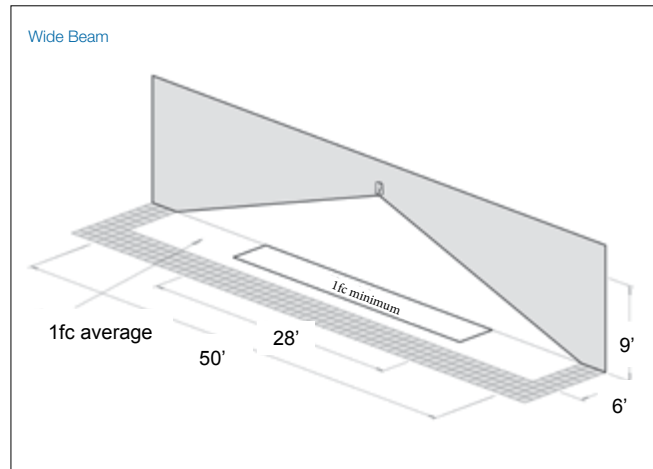
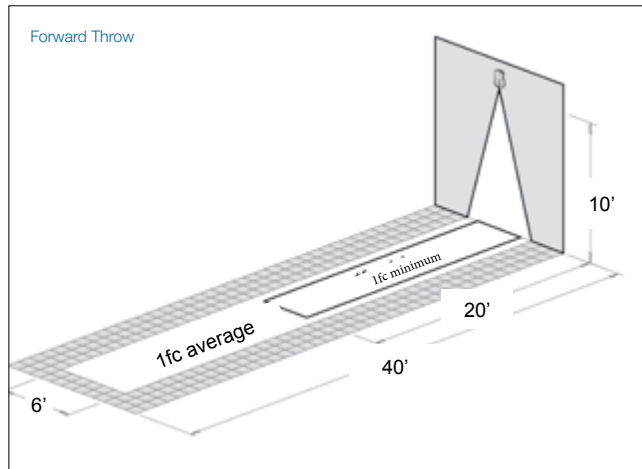
**TABLE B: SPACING FOR MINIMUM ILLUMINATION = 1FC**

Model Type	Mounting Height	Lumen	Color Temperature	Width X Length (ft)	
				Single Unit	Center-To-Center
Standard	9'	400	5000K	4' x 28'	4' x 32'
With option -H	11'	550		4' x 32'	4' x 40'
With option -FT	12'	460		4' x 22'	—
With option -FTH	15'	640		4' x 27'	—

**Average of 1 foot-candle**

**TABLE A: SPACING FOR NFPA101 (AVERAGE = 1FC, SEE NOTE)**

Model Type	Mounting Height	Lumen	Color Temperature	Width X Length (ft)	
				Single Unit	Center-To-Center
Standard	9'	400	5000K	6' X 50'	6' X 50'
With option -H	11'	550		6' X 60'	6' X 60'
				3' X 70'	
With option -FT	12'	460		6' X 40'	—
With option -FTH	15'	640		6' X 50'	—



**How to Order**

COLOR	SERIES	MODEL	OPTIONS
<b>B=</b> Black <b>BZ=</b> Dark bronze <b>OW=</b> Off-white <b>PG=</b> Platinum gray	<b>LUX=</b> Lux-Ray LED	<b>SD=</b> Self-Powered & diagnostic [-4... 122°F (-20... 50°C)] <b>ACSD=</b> Dual-mode AC / Self-Powered [-4... 104°F (-20... 40°C)]	<b>-CW=</b> Cold weather [-40... 86°F (-40... 30°C) not available with option -H] <b>-D1=</b> Time Delay (5 minutes) <b>-D2=</b> Time Delay (10 minutes) <b>-D3=</b> Time Delay (15 minutes) <b>-FT=</b> Forward throw lighting <b>-H=</b> High lumen output (max. 86°F/30°C; model SD only) <b>-P=</b> Photocell (ACSD only) <b>-RC=</b> Remote control test switch - infrared*

\* For ACSD Model only, remote control keypad (TB-RC1-E) ordered separately